

FREEDOM

CONTROL SERIES

Unprecedented freedom and portability in a small, efficient control system package.

Freedom MDC



The Freedom MDC is a new design incorporating CAN-bus technology into a compact package for the medium-heavy duty market. The powder coated steel console design is rugged and presents multiple mounting options. With both 2 and 3 joystick designs, the MDC allows for control options fitting most applications. The integration of the Freedom2 controller presents a nice clean package in the cab.

Contact your CPI representative or distributor for a demonstration on the newest innovation in Certified Power's line of advanced controls.

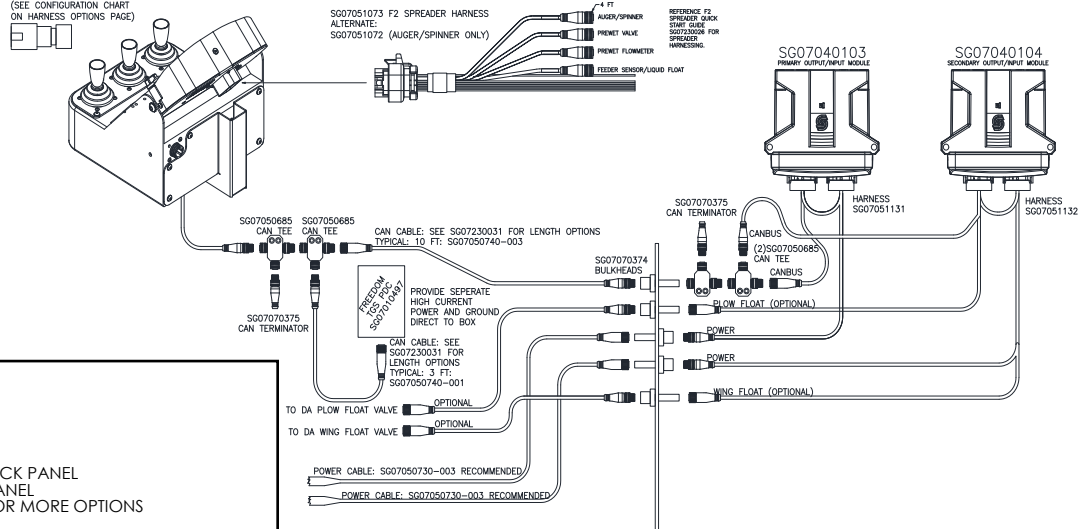
Key Features Include:

- CAN based wiring of valve control for ease of installation
- Up to 6 Switches or TouchGuard (depending on model)
- Integrated CAN-bus Modules
- Powder coated aluminum construction
- Armrest and pedestal mounting options
- 6 Indicators
- Standard configurations to reduce lead time

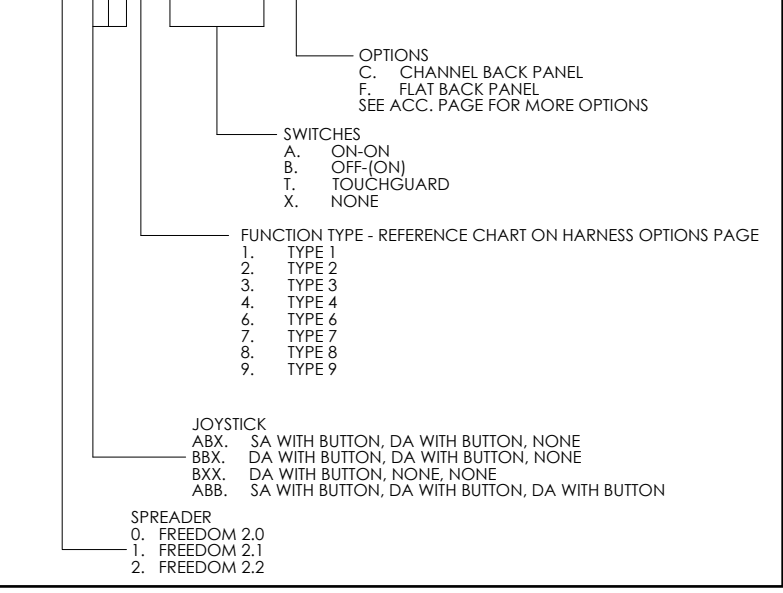


SG07051082-XXX
CONFIGURATION PLUG
(SEE CONFIGURATION CHART
ON HARNESS OPTIONS PAGE)

F2MDC PLOW/HOIST HARNESSING



FC2A-BCDF-XXXXXX-WXX



Choice of 8 Configurable Options

- Type 1: 3 stick, 1 axis hoist, 2 axis plow, 2 axis 3 function wing
- Type 2: 2 stick, 1 axis hoist, 2 axis plow w/float
- Type 3: 2 stick, 1 axis hoist, 2 axis plow w x axis/aux function
- Type 4: 2 stick, 2 axis hoist/tilt, 2 axis plow
- Type 6: 2 stick, 1 axis hoist, 2 axis plow w/y axis aux function
- Type 7: 1 stick, 2 axis plow, shift for hoist
- Type 8: 3 stick, 1 axis hoist, 2 axis plow, 2 axis 2 function wing or scraper
- Type 9: 3 stick, 1 axis hoist, 2 axis plow, 2 axis 2 function scraper and 2 function wing

Additional Features Include:

- 2 and 3 stick designs available
- Switch only design as an option
- CAN-bus connectivity on joystick versions
- Compact design for medium duty applications
- Switches and indicators available for auxiliary functions
- Up to 14 PWMs
- Multiple mounting options
- TouchGuard compatible
- Designed to integrate Freedom2 spreader control
- PWM with current control for Auger, Spinner and Prewet (depending on model)
- Ground speed oriented
- Closed loop speed control (depending on model)
- Color touchscreen
- Storm totals
- Remote pause and blast (depending on model)
- Reliable hall effect joysticks
- Control of up to 7 double acting functions
- User configurable Plow and Wing float (double and single acting)
- Deadman on hoist
- 8 different control variations to choose from
- 6 LED indicators with legends
- Hoist limit (optional)

Certified Power is a pioneer in snow and ice removal. We definitely have the experience to do the job. From the operator to the fleet manager we understand what you need. That's why the entire Freedom product line, top to bottom, is the best available when you compare safety, reliability, durability, and ease of maintenance.

Our engineering staff consistently proves that it is the most innovative in the industry. This makes us the best at bringing your ideas to reality. We can help you design systems and controls that will do your job right and do it well. We are here to serve you and believe that our total commitment to your success is the key to our mutual success.

Distributed by:



Des Moines, IA (800) 333-7411
Dickinson, ND (800) 241-8685
Minneapolis, MN (800) 289-1330

Mundelein, IL (888) 905-7411
Perrysburg, OH (800) 374-7411
St. Louis, MO (800) 999-7411

Or call our corporate headquarters for a location near you:



phone: 847-573-3818
 fax: 847-573-3836

www.certifiedpower.com