

Manual Spreader Control (MS2)

The MS2 meets today's spreader control challenges with the following features:

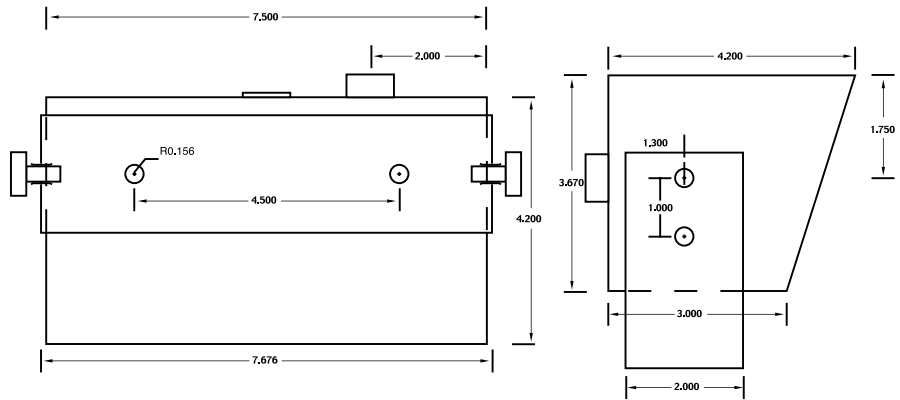
- Nine-position control for spinner and auger
- Blast push button with adjustable duration timer for an instantaneous 100% auger dump or stationary unloading
- Adjustable minimum and maximum trims for both valves
- One power switch that removes all power from both valves
- Adjustable PWM frequency
- Fused for short circuit protection
- Reverse polarity protection
- Independent positive off position for each valve control knob
- Power on indicator
- Twist Lock CPC connector for simple removal and replacement
- Dash mount or console mount
- Speed signal input for automatic start/stop



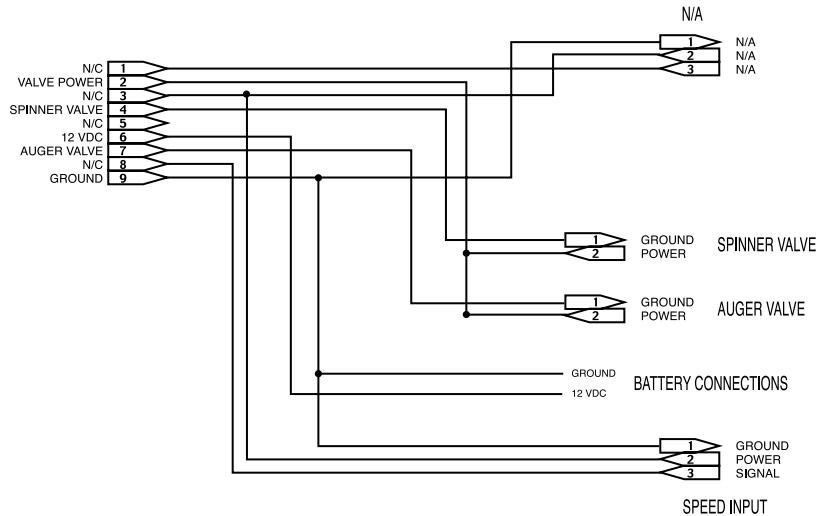
The MS2 is a manual spreader control designed for Snow & Ice removal equipment. It controls the two hydraulic proportional flow valves commonly used to regulate the feed rate and lane width functions. The MS2 is not a ground speed controller, hence it does not require any sensors. It uses the latest in spreader control technology with an adjustable PWM frequency and both minimum and maximum valve trim settings. The operator has nine flow control settings for both the spinner and auger functions. The MS2 also incorporates a speed signal input. This is not a ground speed input, it simply allows the operator "hands-free" starting and stopping of the spreader. The MS2 is an ideal way to remove the manual hydraulic flow control out of the cab, thereby creating a simple and useful electro-hydraulic control system.

"We Know Snow"

Mechanical Layout:



General Wiring Arrangement:



The MS2 represents one of the premier models in our StormGuard spreader control product line.

Each of the models uses the same interface connector which makes it easy to upgrade any vehicle or back up one controller with another. The MS2 uses the highest grade in electrical components. The toggle switches are a heavy duty sealed type. The flow control rotary switches use a ball-bearing style detent ensuring a smooth, positive and long life design. The MS2 is designed, manufactured and serviced in the USA. It is covered by a one-year parts and labor warranty. For more information on this and other spreader products, contact your local dealer.

Starting A Revolution!

Electrical Specifications:

- Power input 8 VDC to 16 VDC
- Power 100 milliamps plus valve drive requirements
- Valve drive 0 to 2.5 amps each at 0 to 12 VDC
- PWM adjustable from 30 HZ to 200 HZ
- Reverse polarity and short circuit protection, internal fuse
- EMI and RFI filtering is standard, tested to be noise immune for marine band radios
- Temperature range -10 to 50°C or 14 to 122°F, 95% humidity non-condensing

Distributed by:

Des Moines, IA (800) 333-7411
 Minneapolis, MN (800) 888-7411
 Mundelein, IL (888) 905-7411

Perrysburg, OH (800) 374-7411
 St. Louis, MO (800) 999-7411

or call our corporate
 headquarters for a
 location near you

Component Technology

A DIVISION OF
 Certified Power Inc.

phone: 847-573-3818
 fax: 847-573-3836