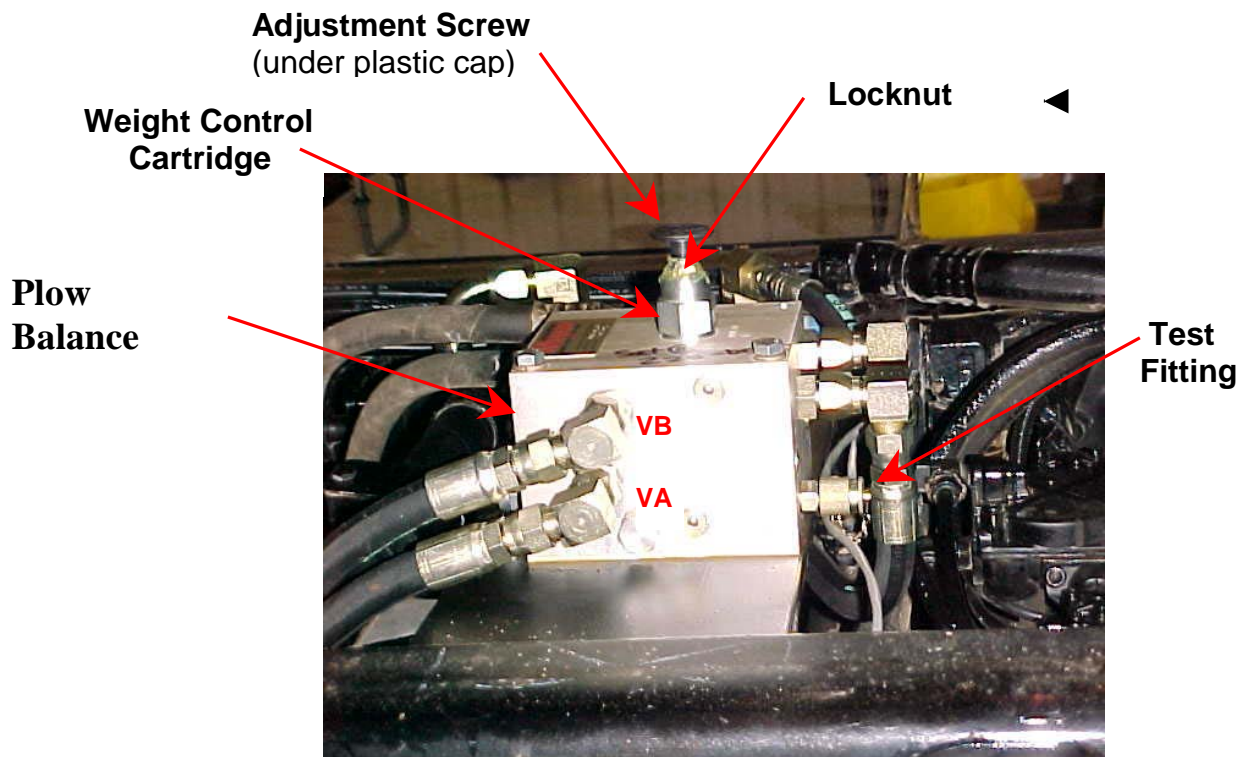


Initial Set-Up / Adjustment Procedures, cont'd.

3.) Adjust as follows:

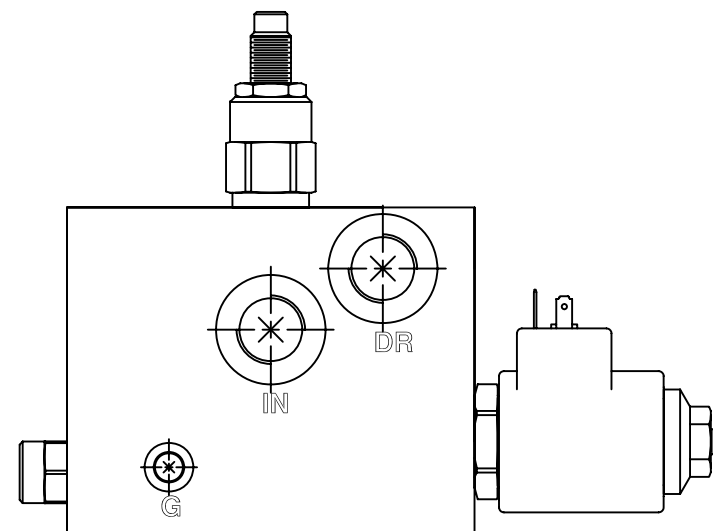
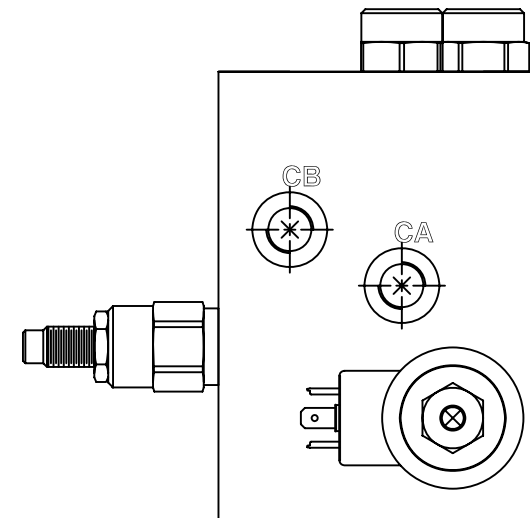
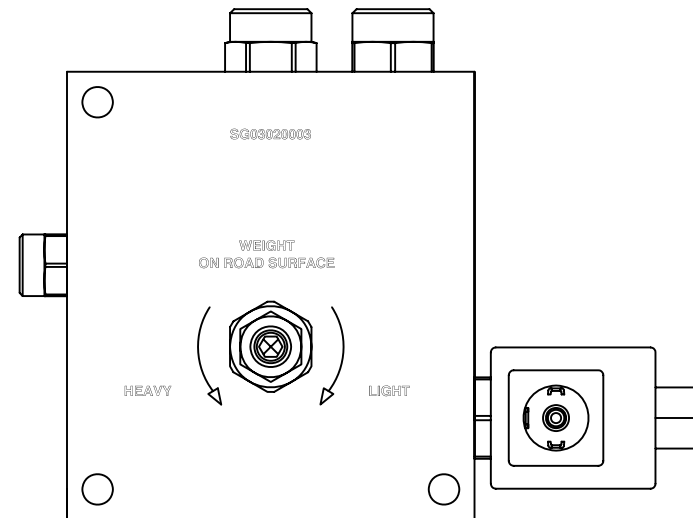
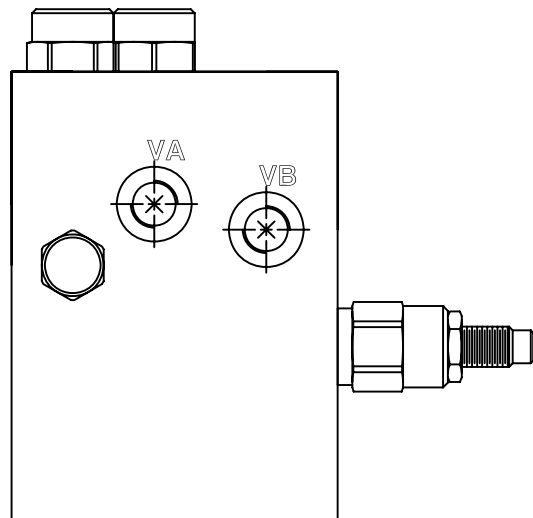
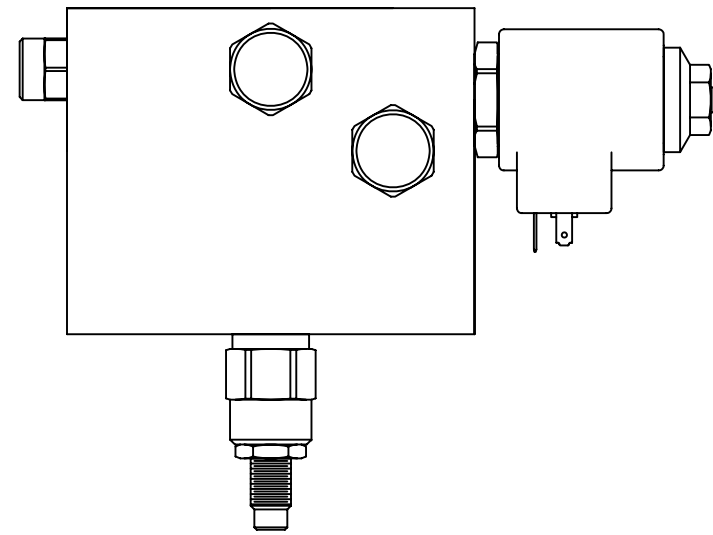
- a. With plow on scale and Plow Balance valve turned on (as shown in item 2 above) check the scale reading.
- b. Loosen the Locknut on the Weight Control Cartridge, with a 9/16" wrench.
- c. Remove black plastic cap from the Adjustment Screw. Using a 5/32" allen wrench - turn Screw CW to make the plow *lighter on the road (scale)* - turn Screw CCW to make the plow *heavier on the road (scale)*. Increments of 1/8 to 1/4 of a turn are recommended, until the scale shows the desired plow weight.



Notes:

1. After the initial set-up, no further adjustment will be required, unless a lighter / heavier plow is installed on the truck.
2. Observe all safety precautions while making adjustments - stay clear of moving parts!

If you have any questions / comments, don't hesitate to call us: 847-573-3800



CUSTOMER & PART NUMBER INFORMATION	
Customer:	COMPONENT TECH
Customer Part#:	SG03020003
Job#:	
Model#:	SG03020003
Schematic DWG#:	SG03020003
Mechanical DWG#:	SG03020003
Electrical DWG#:	SG03020003

Component Technology
A DIVISION OF
Certified Power Inc.

TITLE	
PLOW BALANCE VALVE CLOSED CENTER SINGLE COIL	
DESIGNED BY	Paul Youngquist
SCALE	N/A
DATE	12/26/03
DRAWING NO.	SG03020003

#	DATE	REVISION	INT.	APPD.

PROPERTY OF COMPONENT TECHNOLOGY. THIS PRINT IS NOT TO BE COPIED OR REPRODUCED WITHOUT WRITTEN PERMISSION BY COMPONENT TECHNOLOGY. THIS PROPOSAL IS INTENDED ONLY AS A GUIDE FOR THE CUSTOMER TO CONSIDER THE SYSTEM AND/OR THE COMPONENTS SHOWN AND COMPONENT TECHNOLOGY ASSUMES NO RESPONSIBILITY FOR THE SAFETY, FITNESS, OR FUNCTIONAL SAFETY OF THE COMPONENTS OR THE SYSTEM AS ACTUALLY INSTALLED AND/OR USED BY THE CUSTOMER OR ACCORD TO ANY USES OF THE EQUIPMENT. THE CUSTOMER SPECIFICALLY AGREES THAT HE ACCEPTS SUCH COMPONENTS AND/OR SYSTEMS WITH SUCH UNDERSTANDING.

PORT "VA" PLUMBED TO "RAISE" PORT ON FLOW UP/DOWN VALVE SECTION

PORT "VB" PLUMBED TO "DOWN" PORT ON FLOW UP/DOWN VALVE SECTION

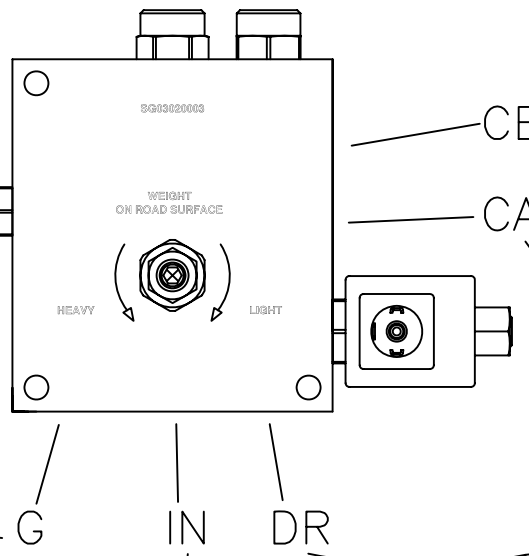
PORT "G" IS FOR PRESSURE GAUGE CONNECTON

PORT "IN" PLUMBED TO "MAIN SYSTEM PRESSURE" HOSE FROM HYDRAULIC PUMP

PORT "DR" PLUMBED TO "DRAIN" HOSE RETURN TO TANK

PORT "CB" PLUMBED TO "DOWN" PORT ON FLOW CYLINDER

PORT "CA" PLUMBED TO "RAISE" PORT ON FLOW CYLINDER



CUSTOMER & PART NUMBER INFORMATION	
Customer:	COMPONENT TECH
Customer Part#:	SG03020003
Job#	
Model#:	SG03020003
Schematic DWG#:	SG03020003
Mechanical DWG#:	SG03020003
Electrical DWG#:	SG03020003

Component Technology
A DIVISION OF
 Certified Power Inc.

#	DATE	REVISION	INT. APPD.

TITLE		PLOW BALANCE VALVE CLOSED CENTER SINGLE COIL	
DRAWN BY	SCALE	N/A	
Paul Youngquist			
DATE	DWG. NO.	REV.	
12/26/03	SG03020003		

PROPERTY OF COMPONENT TECHNOLOGY. THIS PRINT IS NOT TO BE COPIED OR REPRODUCED WITHOUT WRITTEN PERMISSION BY COMPONENT TECHNOLOGY. THIS PROPOSAL IS INTENDED ONLY AS A GUIDE FOR THE CUSTOMER TO CONSIDER THE SYSTEM AND/OR THE COMPONENTS SHOWN, AND COMPONENT TECHNOLOGY ASSUMES NO RESPONSIBILITY FOR THE SUITABILITY, FITNESS, OR FUNCTIONAL SAFETY OF THE COMPONENTS OR THE SYSTEM AS ACTUALLY DESIGNED AND/OR BUILT BY THE CUSTOMER OR MODIFIED BY ANY USER OF THE EQUIPMENT. THE CUSTOMER SPECIFICALLY AGREES THAT HE ACCEPTS SUCH COMPONENTS AND/OR SYSTEM WITH SUCH UNDERSTANDING.